



The ServerLIFT SL-500FX™ data center lift loads servers from the front with an extended shelf for deeper support into cabinets. This is especially useful when supporting servers for fixed rail and face-mounted installs. System integrators, test labs, or any facility with 5 ft (1.5 m) or more of space in front of the rack will benefit from its versatile, stable, and forward-sliding platform.



- ✓ Eliminates risk to equipment and personnel
- ✓ Supports servers when traversing over pallets
- ✓ One tech per move, every time
- ✓ Precise server positioning
- ✓ Micro-leveling SmartTILT™ shelf adjustment for precise alignment
- ✓ Operates a full day on one charge

Deeper Support from Front-Loading Platform

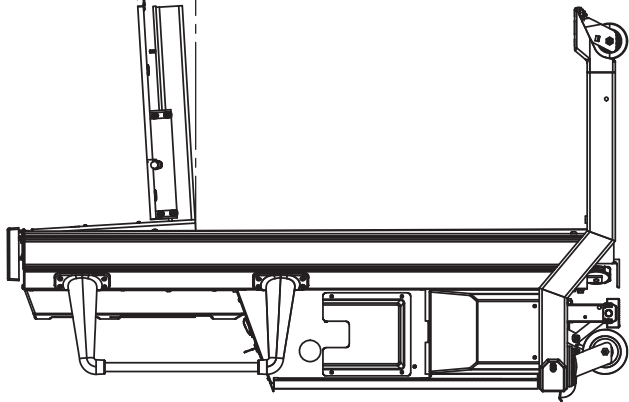
The front-loading platform provides deeper support into the server cabinet and greater maneuverability to carry out the three essential functions of a data center lift: install/remove, transport, and position.

- ✓ 500 lb (254 kg) load capacity
- ✓ Supports equipment up to 20" into rack
- ✓ Lifts and supports servers to over 52U high (8 ft or 2.44 m)
- ✓ Up to 3.4° of platform angle tilt adjustment
- ✓ Compatible with all platform-top mounted ServerLIFT accessories
- ✓ Optional 1, 3, or 5-year extended service and warranty contracts



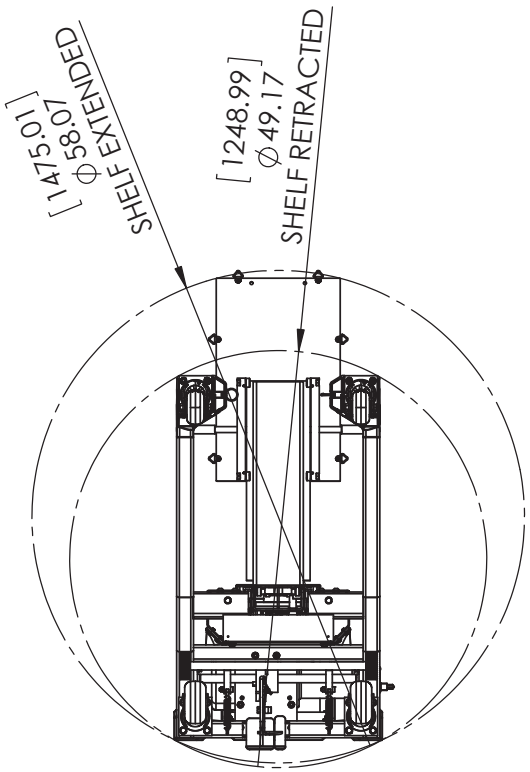
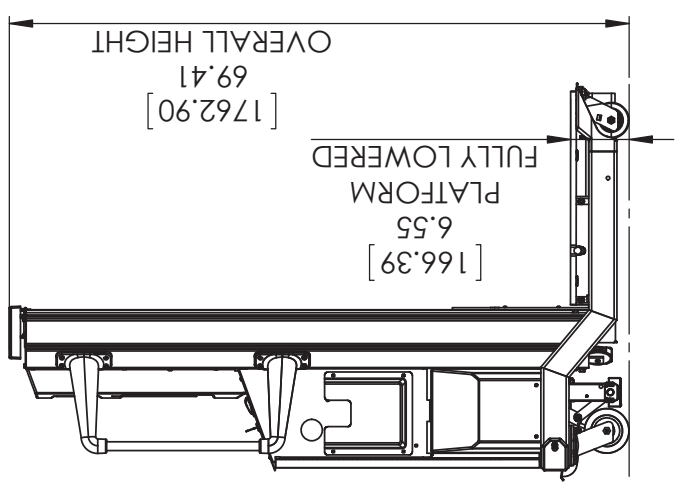
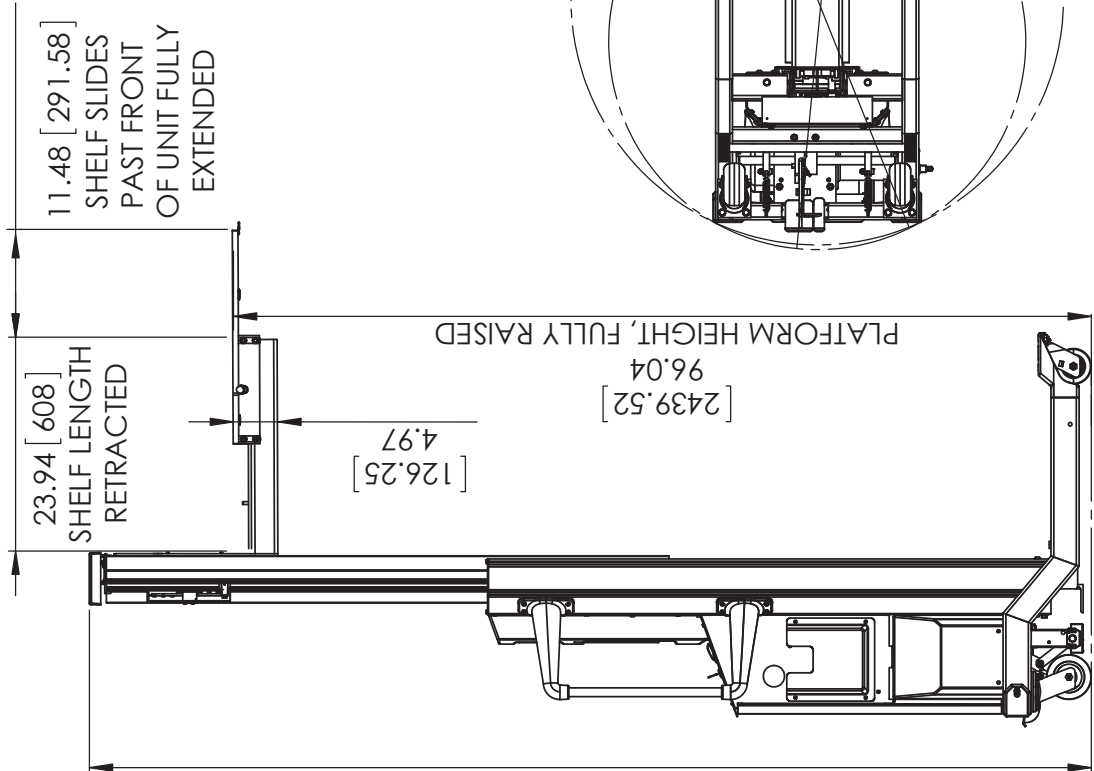
- Weight: 458 lbs [207.75 kg]
- Shipping Weight: 570 lbs [258.55 kg]
- Zero Turn Radius (can pivot on axis when front casters are unlocked)
- Aisle and "T" intersection turn limit: 32" [81.28 cm]
- Front Shelf extended distance from front of unit: 11.48" [29.16 cm]
- Minimum Aisle Width: 25" [63.5 cm]
- Shelf upper height, fully extended: 8' [243.9 cm]
- Shelf lowest height: 6.55" [16.39 cm] off the ground
- Maximum load capacity rating: 500 lbs [226.80 kg]

SHELF TILTS UP TO 3.4° FOR ALIGNMENT



[2849.30] 112.18

OVERALL HEIGHT, FULLY RAISED



phone (602) 254-1557
 fax (602) 254-1975
 Phoenix, AZ 85023

PART NO.

SL-500FX™

PRINT DATE:
 1/5/2016
 COPYRIGHT 2016
 SERVERLIFT CORPORATION

Notes: