

DV-9525

DVI/VGA USB KVM Extender over IP with Video-Wall

The DV-9525 is a perfect solution for DVI/VGA with USB/IR/RS232 over Gigabit IP Ethernet. The system includes DV-9525T Transmitter (TX) and DV-9525R Receiver (RX). The TX connects to PC or Blu-ray player for the DVI/VGA source, the RX connects to display, speaker, microphone, and USB devices. The solution is based on the standard IP technology, the TX converts input signals (video, Audio, USB, ...) to IP packets and Multicast/Unicast to Gigabit Ethernet switch. On the other end of RXs, receiving IP packets from Ethernet switch then converts back to DVI/VGA, Audio, USB... and send to display, speaker, USB devices. The Encoder/Decoder engine built with Scaling function, multiple RXs are flexible to be configured as Video-Wall displays. Perfect for AV Broadcasting, KVM Matrix Control, Video-Wall applications like informational displays, entertainment, boardrooms, courtrooms, medical, military, and education digital signage.



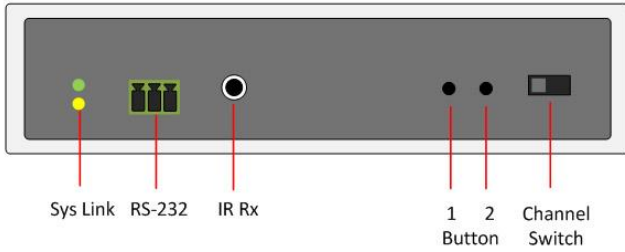
Features

- ❖ Support 1080p or 1920x1200 DVI/VGA resolution.
- ❖ Based on Gigabit Ethernet Switch, easy cabling, easy installation, easily maintain.
- ❖ Support one-to-one (Unicast), one-to-many (Multicast).
- ❖ Support many-to-many if the Ethernet switch enabled the IGMP.
- ❖ Support USB for PC control, you can attach keyboard, mouse, touch screen, storage at the Receiver site to control the PC at the Transmitter site.
- ❖ Rx built with Scaler, can be configured as Video-Wall displays with 180, 270° Rotation.
- ❖ Support 3.5mm stereo audio, you can use speaker/microphone at the Receiver.
- ❖ Support IR option, you can use the IR remote control at Receiver site to control the set-top box at the Transmitter site.
- ❖ Support RS-232 bridge option, you can send RS-232 data in between PC and screens.
- ❖ Pure hardware design, plug-and-play, no any additional software installation required.
- ❖ Built-in HTTP for the IP address, device name, Multi/Unicast, Baud Rate, ... settings.
- ❖ Provide Connection Manager Software for Transmitters/Receivers Connection Management.
- ❖ Provide Video-Wall Manager Software for Video-Wall Configuration and Operation Management.
- ❖ FCC, CE, RoHS compliant.

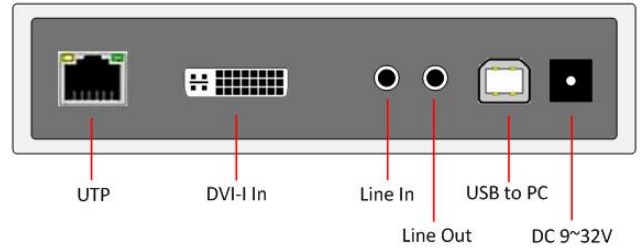
Front, Rear View

DV-9525T

Front View

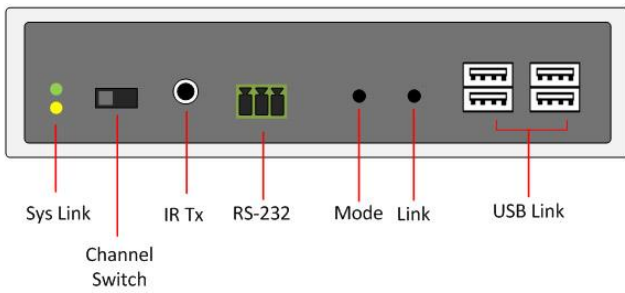


Rear View

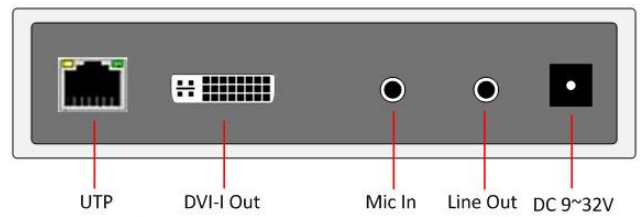


DV-9525R

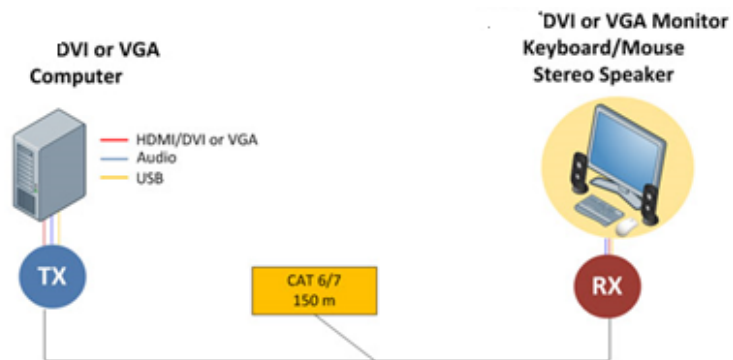
Front View



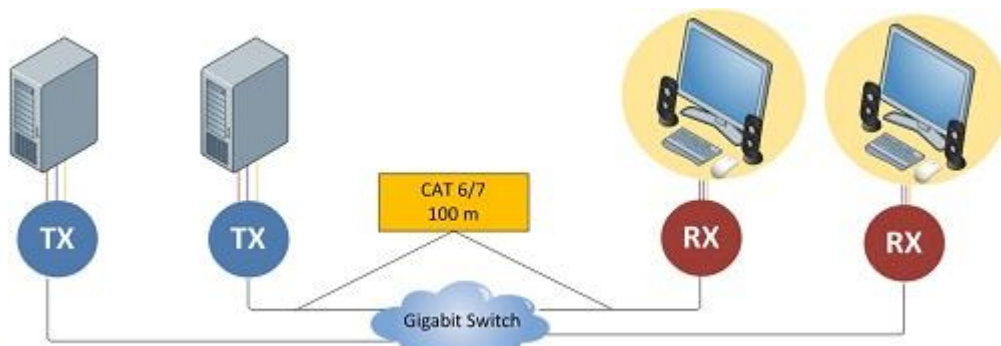
Rear View



Direct Connection



Many to Many



Specification

Model No.		Transmitters	Receiver
		DV-9525T	DV-9525R
Connectors	DVI-I connector for DVI-D/VGA input	1	N/A
	DVI-I connector for DVI-D/VGA output	N/A	1
	Power	DC 9~32V, 15W	DC 9~32V, 20W
	Network Port	1 x RJ45 Gigabit	
	USB Upstream (to PC)	1 x USB-B	N/A
	USB to Devices	N/A	2 x USB-A 2.0 + 2 x USB-A 1.1
	Mounting Holes	Yes	
	3.5mm Line-In	1	N/A
	3.5mm Mic-In	N/A	1
	3.5mm Line-Out	1	
	IR remote control (option)	1 x IR Blaster	1 x IR Receiver
	RS-232	Yes	
Resolution		1080p or PC 1920 X 1200 @ 60Hz	
Inter-connect Cable		CAT 6 / 7	
Environment	Operation Temperature	0~50°C	
	Storage Temperature	-20~ 85°C	
	Humidity	0~80% Non-condensing	
Physical Properties	Material	Metal (Black)	
	Weight	453 g	458 g
	Dimension	150x110x28mm	150x110x28 mm

