



SL-350X

**MANUAL CRANK LIFT**

350 lb capacity

optimal for infrequent moves compatible with all

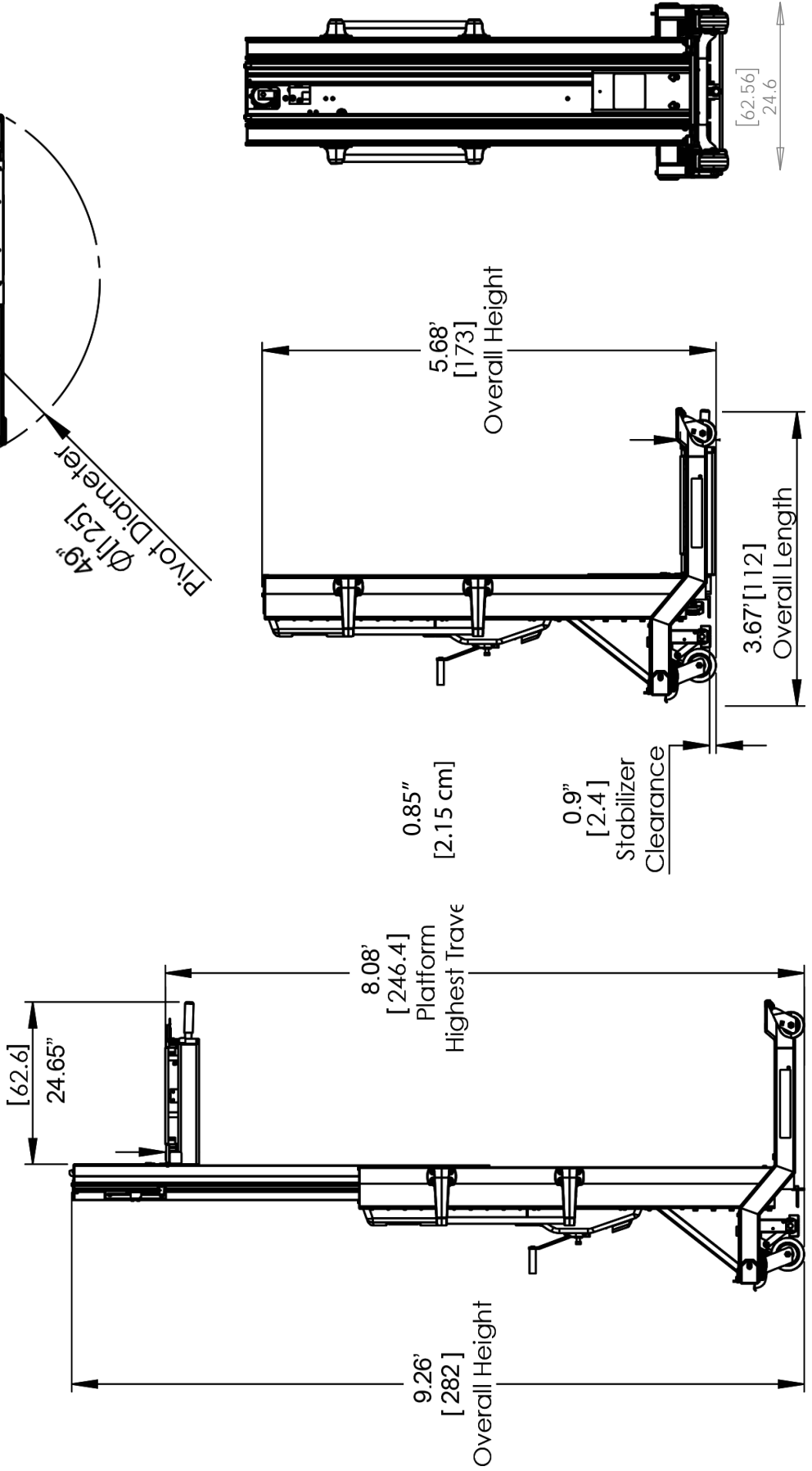
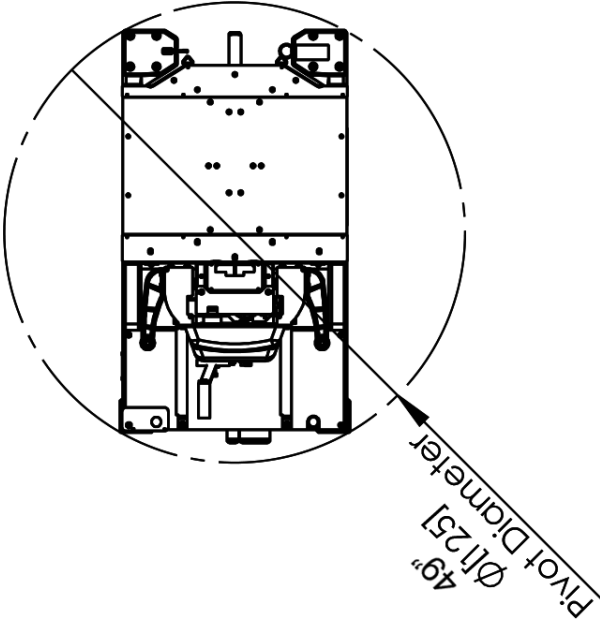
500 series accessories works in confined spaces

certified for data center use



The ServerLIFT **SL-350X** combines the simplicity of a manual lift with the stability and strength that ServerLIFT is known for. When managing your hardware is as important as managing your data, nothing compares to a ServerLIFT DCIH solution.

Weight: 443 lbs [200.94 Kb]  
 Shipping Weight: 483lbs [219]  
 Zero Turn Radius (can pivot on axis when front casters are unlocked)  
 Aisle and "T" Intersection turn limit: 32" [81.28 cm]  
 Side Shelf distance: 6" each side - 12" total travel [30.48]  
 Minimum Aisle Width: 25" [63cm]  
 Shelf upper limit: 8.1' [246.4 cm]  
 Shelf lower limit: 5.31" [13.49 cm]  
 Maximum load capacity rating: 350 lbs [158.76 kg]



Notes:

PRINT DATE:  
 1/11/2016  
 COPYRIGHT 2016  
 SERVERLIFT CORPORATION

PART NO.  
**SL-350X™**

phone (602) 254-1557  
 fax (602) 254-1975  
 821 N 2nd St  
 Phoenix, AZ 85004  
 www.ServerLift.com

